

Care Instruction for Kingdom Teak Gazebo

Special Indications:

Before you set up the gazebo, please read exact the following indications and attached instruction manual. Only on this way is a unobjectionable use ensured. A wrong succession by setting up could evoke a damage at the gazebo and the attachment. It is not recommended to take away any sawn label.

Particular environment conditions:

- *Dismantle the gazebo in heavy snowfall or storm or rain.
- *Sandy surfaces reduce stability - Erect the gazebo on a solid surface, which provides firm hold for pegs.
- *Never use fire nearby or inside the gazebo.

Take down of the gazebo:

Before take down, the gazebo should be cleaned from inside and outside. The take down of the gazebo must be in contrary succession like erection of the gazebo.

Pack up the gazebo for storage:

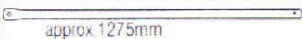
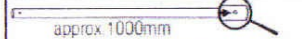
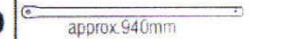
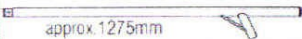


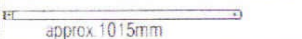


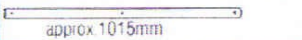





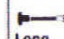





Please take care that the gazebo is dry and cleaned before storing it. Fold the cover carefully along the seam. The gazebo cover and or it's sidewalls must be fold up equivalent to the storage bag available space (if storage bag provided). Take care that the poles and herrings

are not packed together with the cover, otherwise the cover could be damaged. The poles and the fitting parts (Pegs etc) must be packed in the provided bags (if available), otherwise a damage is possible. Collect all connectors and parts and count before packed to ensure no parts is left or lost. At the end, the folded gazebo cover or it's sidewall must be packed separately. To gain you long joy with your gazebo clean the gazebo just with an mild detergent. After that the gazebo should be dried. Mildew / blight and mould stains can be removed with mild soap. Do not use any solvent detergents. Those can bleach or damage the textile.

Consideration:

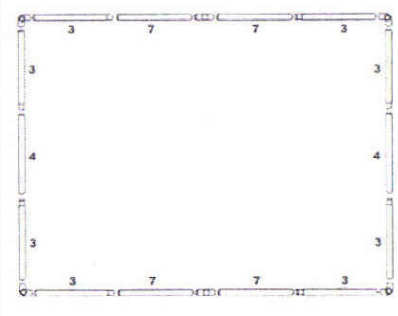
To avoid possible damages never use alkaline or acid detergents as well, do not use injectors for cleaning the gazebo. To avoid material bleach, waterscapes (water collections on the roof) should be avoided, while the water should be pored off or the gazebo should be dismantled. Please mind that your gazebo is not 100% water resistant, even with PE textile or impregnated Polyester textile (depends on the model), so it is possible if it rains that water can pour through the seams. Your gazebo serves more for protection against sun and not for rain or wind protection.

Parts List

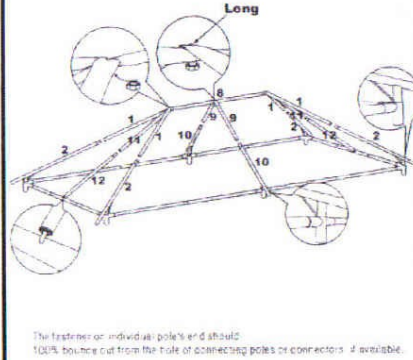
1	 approx. 1275mm	4x	5	 approx. 1000mm	6x	9	 approx. 940mm	2x									
2	 approx. 1275mm	4x	6	 approx. 1000mm	6x	10	 approx. 940mm	2x									
3	 approx. 1015mm	8x	7	 approx. 990mm	4x	11	 approx. 825mm	2x									
4	 approx. 1015mm	2x	8	 approx. 1030mm	1x	12	 approx. 825mm	2x									
	4x		2x		6x		1x		2x		26x		6x		6x		12x

Assemble manual in Diagram

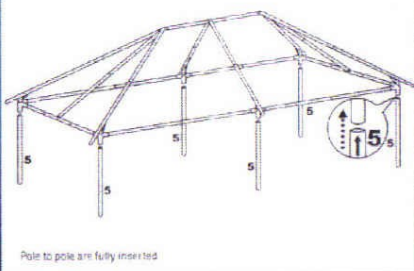
Step.A



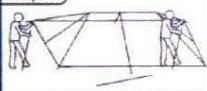
Step.B




Step.C



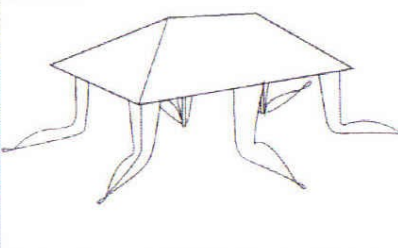
Step.C1



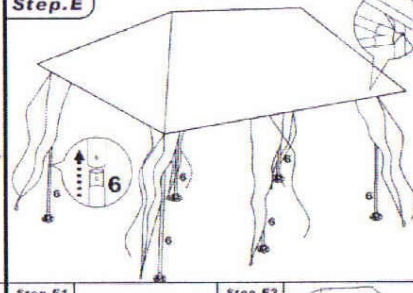
Step.C2



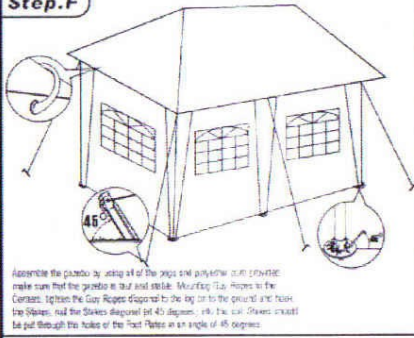
Step.D



Step.E




Step.F




Warning:
Do not assemble or use gazebo under HIGH WIND.
Gazebo should erect on a solid and flat surface.
Minimum 2-3 persons are required for assembling.
From now on using your gazebo live in the discretion.
Never use fire nearby or inside the gazebo.


Step.D1



Step.D2



Step.E1



Step.E2

